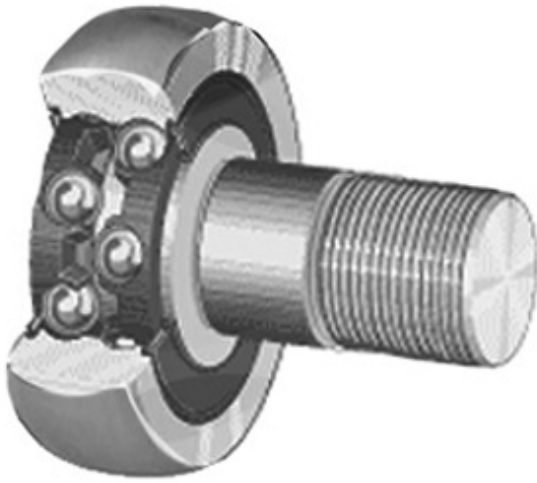




Bearing Rolamentos do Brasil Ltda.

INA KR5202-2RS Cam Follower and Track Roller - Stud Type



KR5202-2RS Bearing 2D drawings and 3D CAD models

Bearing No. KR5202-2RS

Category	Cam Follower and Track Roller - Stud Type
Inventory	0.0
Manufacturer Name	SCHAEFFLER GROUP
Minimum Buy Quantity	N/A
Weight	0.228
EAN	4012802111866
Product Group	B04120
Roller Surface Profile	Crowned
Profile	Stud Type
Thread Size	M16X1.5
Stud Profile	Standard Stud
Enclosure	Sealed
Rolling Element	Ball Bearing-Double Row
Hex Socket	Yes
Inch - Metric	Metric
Other Features	Lip Seals
Category	Cam Followers Stud Type
UNSPSC	31171530
Harmonized Tariff Code	8482.10.50.68
Noun	Bearing
Keyword String	Cam Follower
Manufacturer URL	http://www.ina.com
Manufacturer Item Number	KR5202NPPU
Weight / LBS	0.419
Roller Diameter	1.575 Inch 40 Millimeter



Bearing Rolamentos do Brasil Ltda.

Roller Width	0.626 Inch 15.9 Millimeter
Stud Diameter	0.63 Inch 16 Millimeter