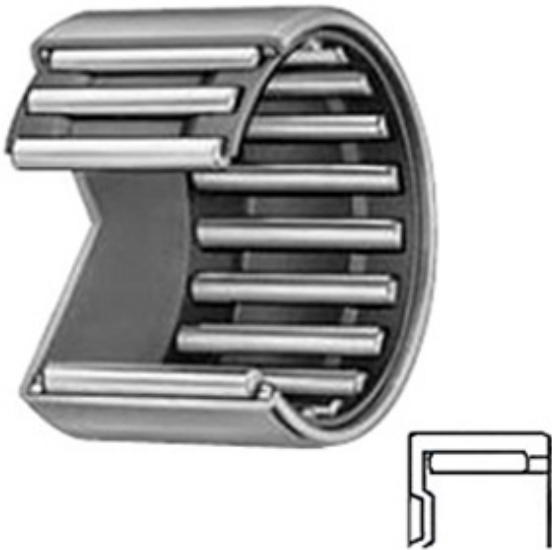




## Bearing Rolamentos do Brasil Ltda.



BAM88 Bearing 2D drawings and 3D CAD models

0.5 Inch | 12.7 Millimeter x 0.688 Inch | 17.475  
 Millimeter x 0.5 Inch | 12.7 Millimeter IKO  
 BAM88 Needle Non Thrust Roller Bearings

Bearing No. BAM88

Category	Needle Non Thrust Roller Bearings
Inventory	0.0
Manufacturer Name	IKO
Minimum Buy Quantity	N/A
Weight	0.007
EAN	4549557002274
Product Group	B04144
Rolling Element	Needle Roller Bearing
Component	Roller Assembly with Outer Ring - No Inner Ring
Enclosure	Open
Self Aligning	No
Retainer	Yes
Number of Rows of Rollers	Single Row
Separable	No
Closed End	Yes
Inch - Metric	Inch
Relubricatable	No
Thrust Bearing	No
Long Description	1/2" Bore; 11/16" Outside Diameter; 1/2" Width; Needle Roller Bearing; Roller Assembly with Outer Ring - No Inner Ring; Open Enclosure; No Self Aligning; Yes Retainer; Single Row of



## Bearing Rolamentos do Brasil Ltda.

	Rol
Other Features	1 Rib Outer Ring   Drawn Cup Bearing
Category	Needle Non Thrust Roller Bearing
UNSPSC	31171512
Harmonized Tariff Code	8482.40.00.00
Noun	Bearing
Keyword String	Needle
Manufacturer URL	<a href="http://www.ikont.com">http://www.ikont.com</a>
Manufacturer Item Number	BAM88
Weight / LBS	0.017
d	0.5 Inch   12.7 Millimeter
D	0.688 Inch   17.475 Millimeter
B	0.5 Inch   12.7 Millimeter